

## DS-2CD2512F-I(W)(S)



### Key Features

- Up to 1.3 megapixel (1280 × 960) @ 30 fps resolution
- Standard video compression with high compression ratio, ROI (region of interest) encoding
- Progressive scan CMOS
- 10 unicast users
- PoE (Power over Ethernet)
- Built-in Micro SD/SDHC/SDXC card slot, up to 128 GB
- Support Wi-Fi, support WPS configuration with one touch(-W)
- IR range approx. 10 meters
- Two-way audio(-S)
- Built-in microphone and audio output(-S)
- IR cut filter with auto switch
- 3D digital Noise Reduction
- Support multiple streams
- Support Backlight Compensation, Digital Wide Dynamic Range, Auto-electronic shutter and ATW
- User authentication ( max 16 users can be registered)
- Ingress Protection level: IP66
- Impact Protection: IEC60068-2-75 test, Eh, 20J; EN50102, up to IK08
- Other functions: heartbeat, mirror image, reset button, etc
- Support intrusion detection, line crossing detection, and others
- Support VCA, which is compatible with NVR for the second time of video searching and analysing

### Application Scenarios:

It is suitable for low or no illumination environment with HD image quality like road, storage, underground park, bar, tube, garden and so on. Especially it can be used in monitor space needed HD image quality and imperceptibility like hotel, supermarket, office, passage, stairs, elevator, etc.

## Specifications

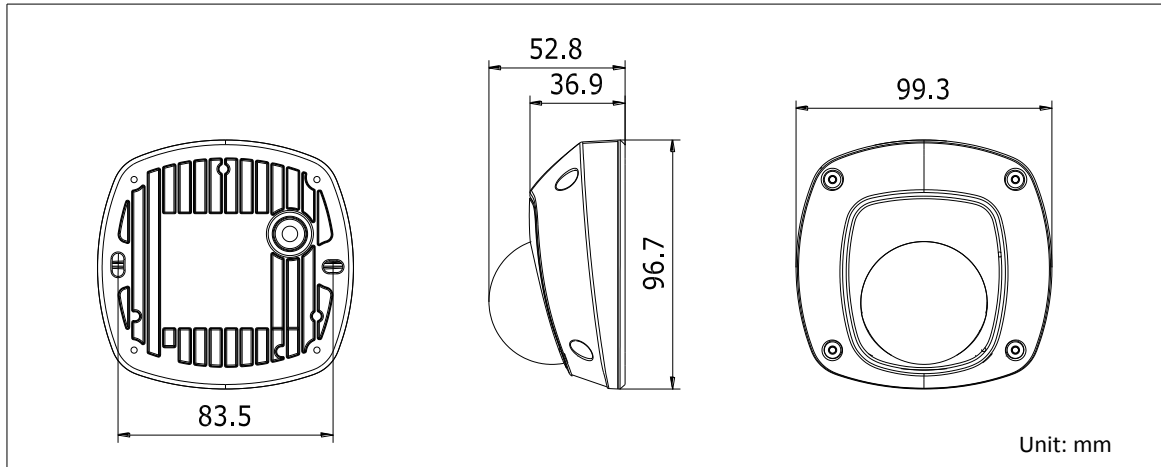
Model parameters	DS-2CD2512F-I(W)(S)
	1.3 megapixel CMOS Network Mini Dome Camera
<b>Camera</b>	
Image Sensor	1/3" Progressive Scan CMOS
Min. Illumination	0.01Lux @(F1.2,AGC ON) ,0 Lux with IR
Shutter Speed	1/3 s to 1/100,000 s
Lens	4mm@ F2.0 (2.8mm, 6mm optional)
	Angle of view: 92.5°(2.8mm), 73.1°(4mm), 46°(6mm)
Lens Mount	M12
Day &Night	IR cut filter with auto switch
Digital Noise Reduction	3D Digital Noise Reduction
Angle of adjustment	Pan: -30°-30°, Tilt: 0~75°, Rotation: 0-360°
WDR	Digital WDR
<b>Compression Standard</b>	
Video Compression	H.264 / MJPEG
H.264 encoding level	Main Profile
Video Bit Rate	32Kbps~12Mbps
Audio Compression(-S)	G.711/G.722.1/G.726/MP2L2
Audio Bit Rate(-S)	64Kbps(G.711) / 16Kbps(G.722.1) / 16Kbps(G.726) / 32-128Kbps(MP2L2)
<b>Image</b>	
Max. Resolution	1280 × 960
Frame Rate	50 Hz: 25 fps (1280 × 960), 25 fps (1280 x 720), 25 fps (704 x 576), 25 fps (640 x 480) 60 Hz: 30 fps (1280 × 960), 30 fps (1280 x 720), 30 fps (704 x 576), 30 fps (640 x 480)
Image Settings	Rotate mode, Saturation, Brightness, Contrast adjustable by client software or web browser
Backlight compensation	Yes, zone optional
ROI	Support
<b>Network</b>	
Network Storage	Local storage: Built-in Micro SD/SDHC/SDXC card slot, up to 128 GB. NAS (Support NFS,SMB/CIFS)
Alarm Trigger	Line Crossing, Intrusion Detection, Motion detection, Dynamic analysis, Tampering alarm, Network disconnect , IP address conflict, Storage exception
Protocols	TCP/IP,ICMP,HTTP,HTTPS,FTP,DHCP,DNS,DDNS,RTP,RTSP,RTCP,

	PPPoE, NTP, UPnP, SMTP, SNMP, IGMP, 802.1X, QoS, IPv6, Bonjour
General	One-key reset, Flash-prevention, dual stream, heartbeat, mirror, password protection, privacy mask, watermark, IP address filtering, Anonymous access
Standard	ONVIF, PSIA, CGI, ISAPI
Interface	
Communication	1 RJ45 10M/100M Ethernet interface
Alarm interface	-S: 1 alarm I/O
Audio interface	-S: built-in microphone, 1 audio output
Wi-Fi Specification (Only for the products with Wi-Fi module built-in)	
Wireless Standards	IEEE802.11b, 802.11g, 802.11n
Frequency Range	2.4 GHz ~ 2.4835 GHz
Channel Bandwidth	20/40MHz Support
Protocols	802.11b: CCK, QPSK, BPSK 802.11g/n: OFDM
Security	64/128-bit WEP, WPA/WPA2, WPA-PSK/WPA2-PSK, WPS
Transmit Output Power	11b: 17±1.5dBm @ 11Mbps 11g: 14±1.5dBm @ 54Mbps 11n: 12.5±1.5dBm
Receive Sensitivity	11b: -90dBm @ 11Mbps (Typical) 11g: -75dBm @ 54Mbps (Typical) 11n: -74dBm (Typical)
Transfer Rates	11b: 11Mbps 11g: 54Mbps 11n: up to 150Mbps
Wireless Range	50m(depend on environment)
Wireless Standards	IEEE802.11b, 802.11g, 802.11n
General	
Operating Conditions	-30 °C – 60 °C Humidity 95% or less (non-condensing)
Power Supply	DC12V±10% / PoE
Power Consumption	MAX. 5.7W
IR Range	10 meters
Protect level	IP66
Impact Protection	IEC60068-275Eh, 20J; EN50102, up to IK08
Dimensions (mm)	99.3×96.7×52.8
Weight	600 g (1.32 lbs)

## Order Models

DS-2CD2512F-I, DS-2CD2512F-IW, DS-2CD2512F-IS, DS-2CD2512F-IWS

## Dimensions



## Accessories



Indoor/Outdoor wall mount  
DS-1272ZJ-120