

Bluetooth adapter



BT-1



BT-2

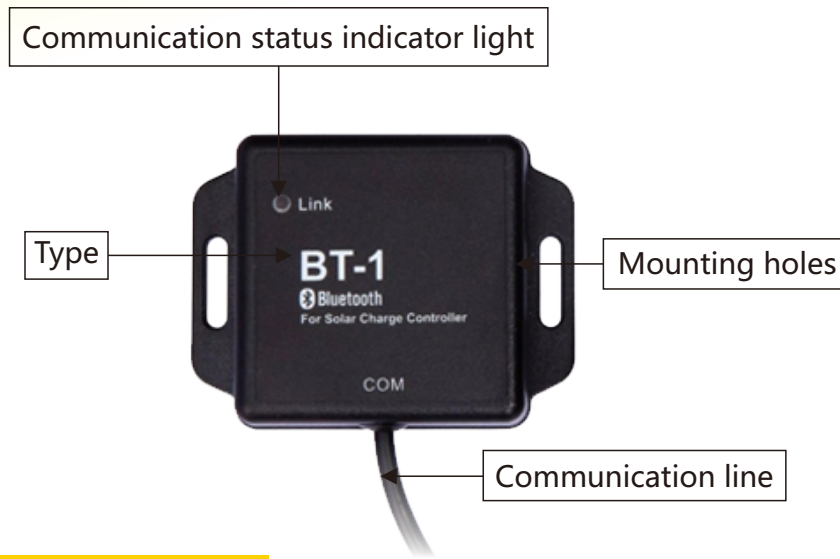
Product introduction:

BT-1、 BT-2 is a suitable for our company solar controller extend bluetooth communication function of the bluetooth module, cooperate with mobile phone APP can be realized on the system of wireless monitoring, parameters setting and data view.

Main features:

1. Realize the solar controller of wireless monitoring function
2. Support mobile phone APP, plug and play, simple setting
3. The use of high performance, low power consumption of the bluetooth special chip
4. Adopt bluetooth 4.0 and BLE technology, has the characteristics of rapid communication and strong anti-jamming capability
5. Without external power supply, power supply directly by the communication port
6. Communication distance of up to 15 meters
7. Products features

Product introduction:



Indicator light instruction:

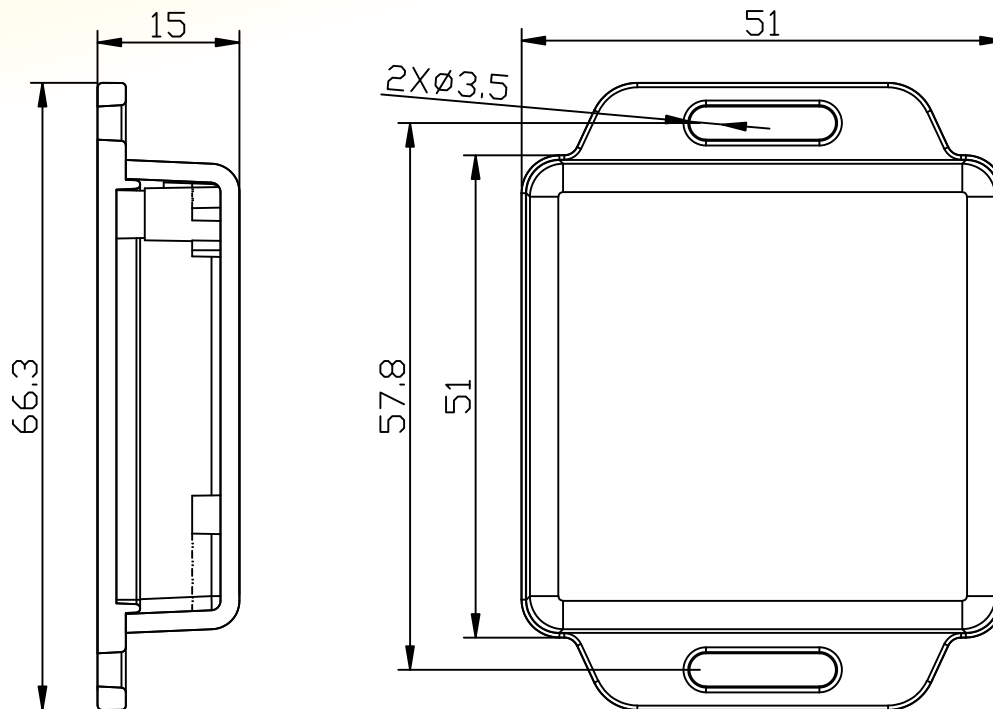
| Indicator light | State | | Explain |
|----------------------|-----------|------------|----------------------|
| | BT-1 | BT-2 | |
| Link indicator light | Red blink | Blub blink | In the communication |
| | Put out | | Idle state |

System wiring diagram:



Note: use a standard network cable (parallel cable) for connection.

Product structure diagram:



Technical parameters:

| Model | BT-1 |
|-----------------------------|---|
| Input voltage | 5V-12V |
| Standby power consumption | 0.04W |
| Operating power consumption | 0.05W |
| Communication distance | ≤15m |
| Serial baud rate | Fixed baud rate 9600bps |
| Communication mode | RS232 |
| Port type | RJ12 |
| Connection cable | Standard network cable (parallel cable) |
| Dimensions | 66*51*15.5mm |
| Installation dimensions | 57.5, φ3.2mm |
| Operating temperature | -20°C to 75°C |
| Protection degree | IP67 |
| Net weight | 120g |